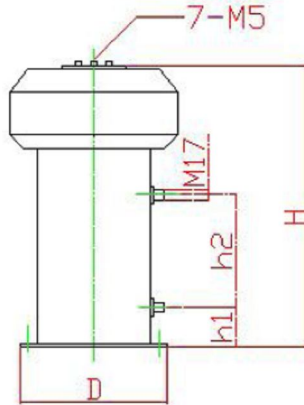


KCGS-0/5000PF-12KV
Water Cooled Plate Ceramic Capacitor



KINTRONIC CERAMIC CAPACITORS



KCGS-0/5000PF-12KV
Ceramic Capacitor

Specification

Cap Value (pF): 5000

Rated Voltage (DC+AC): 12 Kv

Reactive Value (kVA): 1275

Max. Current (A): 150

Dimensions (mm): D95x222, h1: 18, h2: 110

Thread Size: 7xM5

Replacement for TWX(F) 95x220-5000PF

KINTRONIC DELTA VISION S.A.

C.C. Zoco Las Pirámides- Avda. de Andalucía 2-Local 207
28702 San Sebastián de los Reyes-Madrid/Spain

Tfno: +34 91 658 8616

Fax: +34 91 658 8617

julian@kindevi.com

www.kindevi.com